

SAFETY ORGANIZATION(S):

THIS FILTER HAS BEEN FORMALLY RECOGNIZED, CERTIFIED OR APPROVED BY THE LISTED AGENCY. THEREFORE, ALL TEST/REQUIREMENTS SPECIFIED IN THE LATEST REVISION OF THE FOLLOWING AGENCY STANDARDS HAVE BEEN MET:

UL 1283
 CSA 22.2, NO.0,0.4,8
 VDE 565-3

OPERATING SPECIFICATIONS:

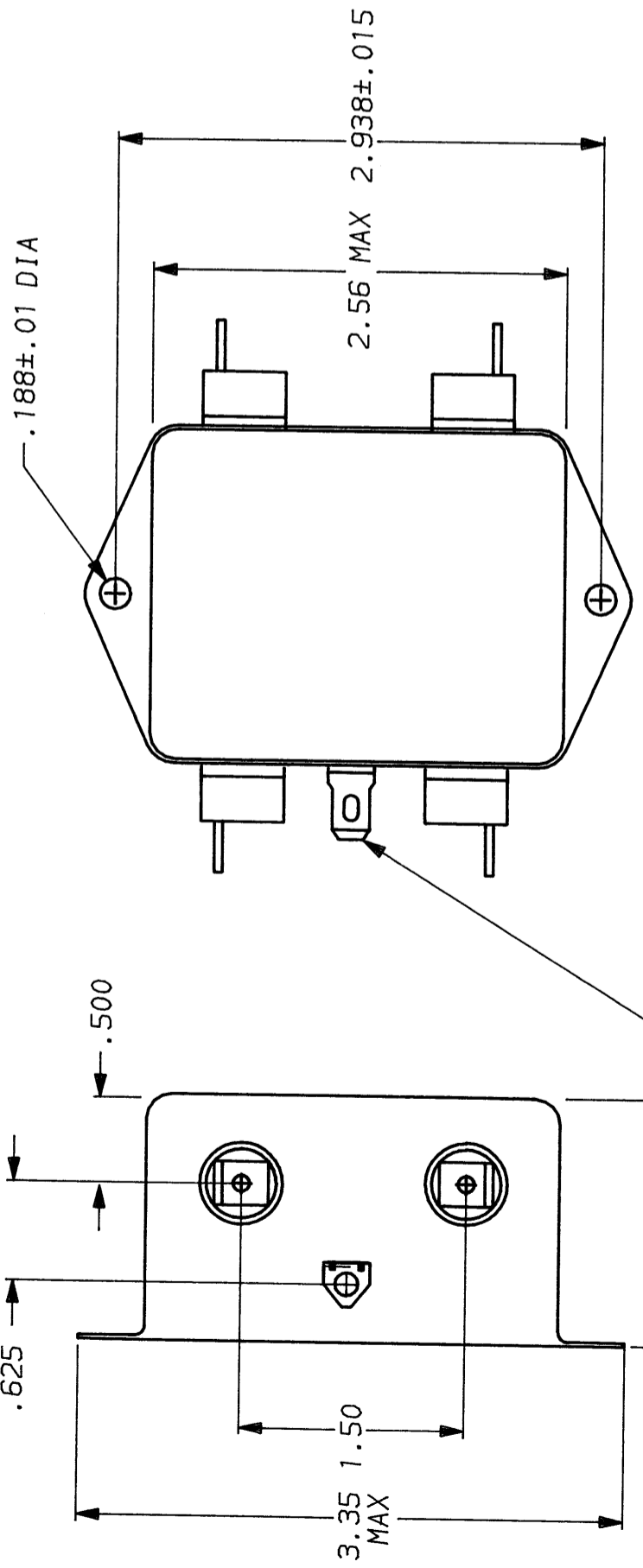
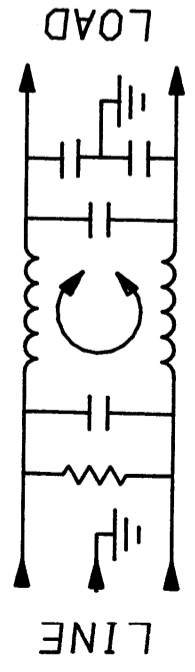
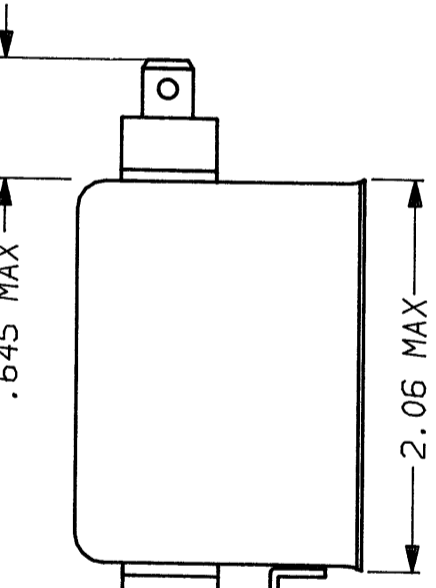
LINE VOLTAGE/CURRENT:
 20 AMP., 120/250 VAC
 16 AMP./40°C, 250 VAC
 50-60Hz
 30°C
 .5 mA at 120V 60 Hz
 1.0 mA at 250V 50 Hz
 -10°C TO +40°C @ RATED CURRENT, I_r

IN AN AMBIENT, T_a, HIGHER THAN 40°C, THE MAXIMUM OPERATING CURRENT, I_o, IS AS FOLLOWS:

$$I_o = I_r \sqrt{\frac{85-T_a}{45}}$$

RELIABILITY SPECIFICATIONS:

STORAGE TEMPERATURE:
 -40°C TO +85°C
 HUMIDITY:
 21 DAYS @ 40°C 95% RH
 CURRENT OVERLOAD TEST:
 6 TIMES RATED CURRENT FOR 8 SECONDS



0.069 X 0.155 SLOT

RECOMMENDED RECEIVING INSPECTION HIPOUT:

LINES TO GROUND: 2250 VDC FOR 1 MINUTE
 LINE TO LINE: 1450 VDC FOR 1 MINUTE

FILTER APPROVAL:

THE BEST WAY TO SELECT AND QUALIFY A FILTER IS FOR YOUR ENGINEERING TO TEST THE UNIT IN YOUR EQUIPMENT.

50Ω - 50Ω (MINIMUM) INSERTION LOSS

FREQUENCY MHz	.15	.4	.5	1	2	5	10	20	30
COMMON dB	9	22	25	34	39	44	47	50	51
DIFF. dB	5	5	20	40	55	50	40	30	30

This document is proprietary to CORCOM INC. and is not to be reproduced nor used for manufacturing purposes except on CORCOM's order or prior written consent.

TOLERANCE EXCEPT AS NOTED

DECIMAL: .XXX .XX .X ANGLES ± 1°
 ENGLISH: ±.025
 METRIC: ±

MATERIAL:
 AS SUPPLIED

FINISH:

AS SUPPLIED

LIBERTYVILLE, IL 60048

POWER LINE FILTER

SCALE	DATE	DRG. NO.	REV.
NTS	7-31-90	20VK1	06
DRW. BY	ORIGINATOR		
CFW	CFW		